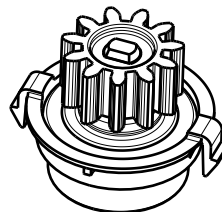
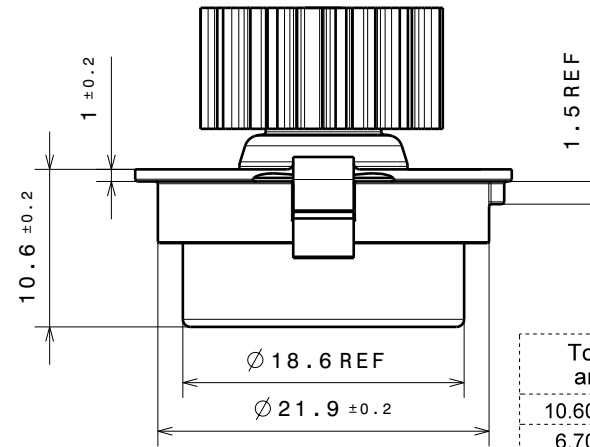
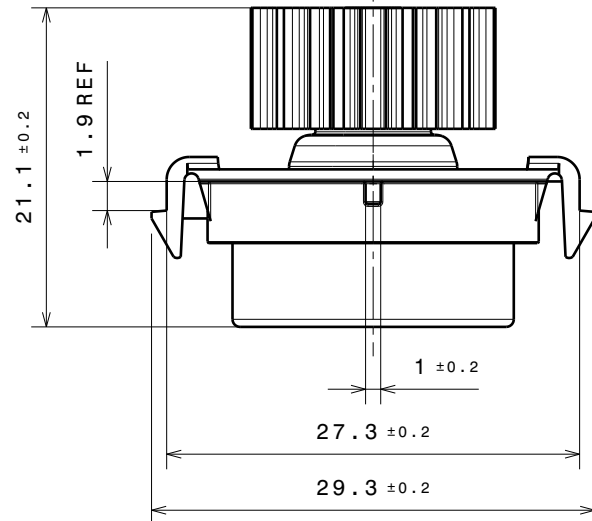
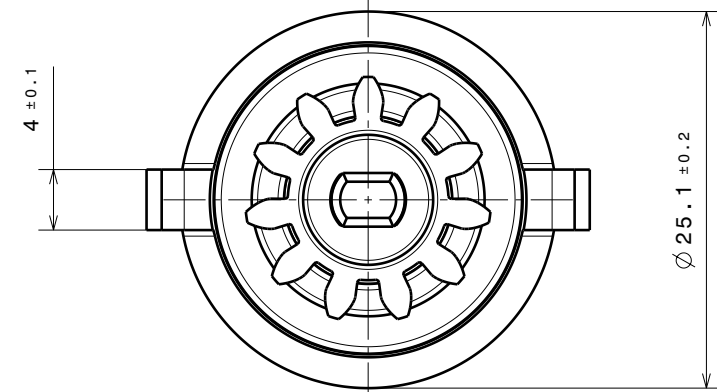


TECHNICAL DATA FOR REFERENCE ONLY!!



GEAR SPECIFICATION	
tooth engagement	20°
module	1.25
number of teeth	11

Torque at 23°C and 20 rpm.	Color Code
10.60 ± 1.40 Ncm	B
6.70 ± 0.80 Ncm	G
3.80 ± 0.70 Ncm	R

ONE-WAY LARGE REAR-SNAP

46005LRS-1

PART NO. 46-005LRS-1