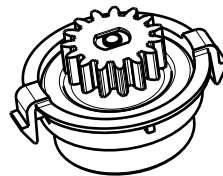
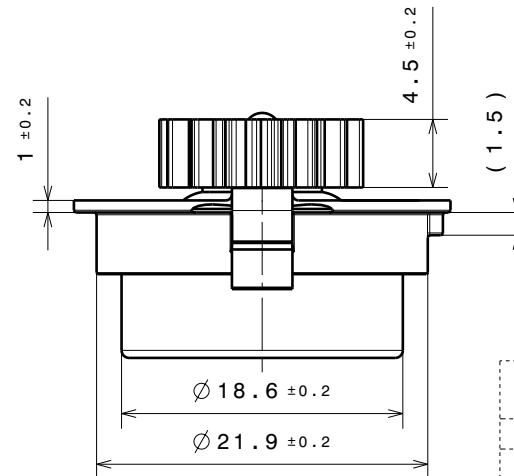
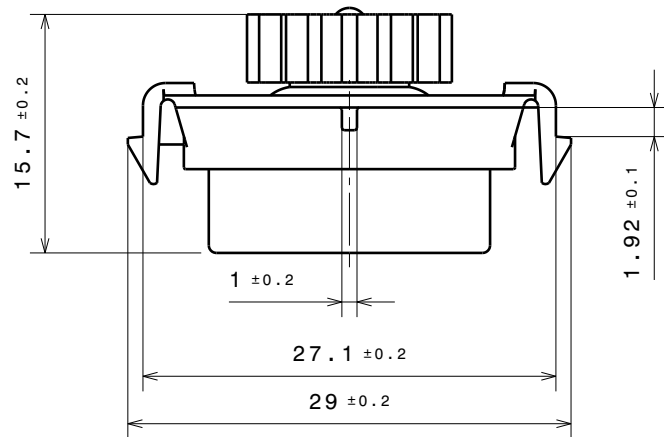
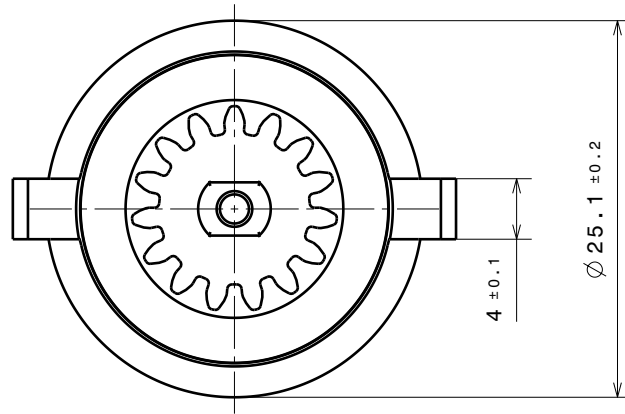


TECHNICAL DATA FOR REFERENCE ONLY!!



Torque at 22°C and 25 rpm.	Torque ID
10.60 ± 1.40 Ncm	B
6.70 ± 0.80 Ncm	G
3.80 ± 0.70 Ncm	R

GEAR SPECIFICATION	
tooth engagement	20°
module	0.8
number of teeth	15

LARGE REAR SNAP DAMPER

46005LRS-2

PART NO. 46-005LRS-2