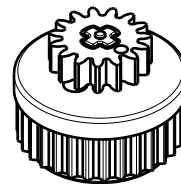
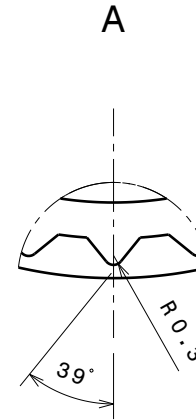
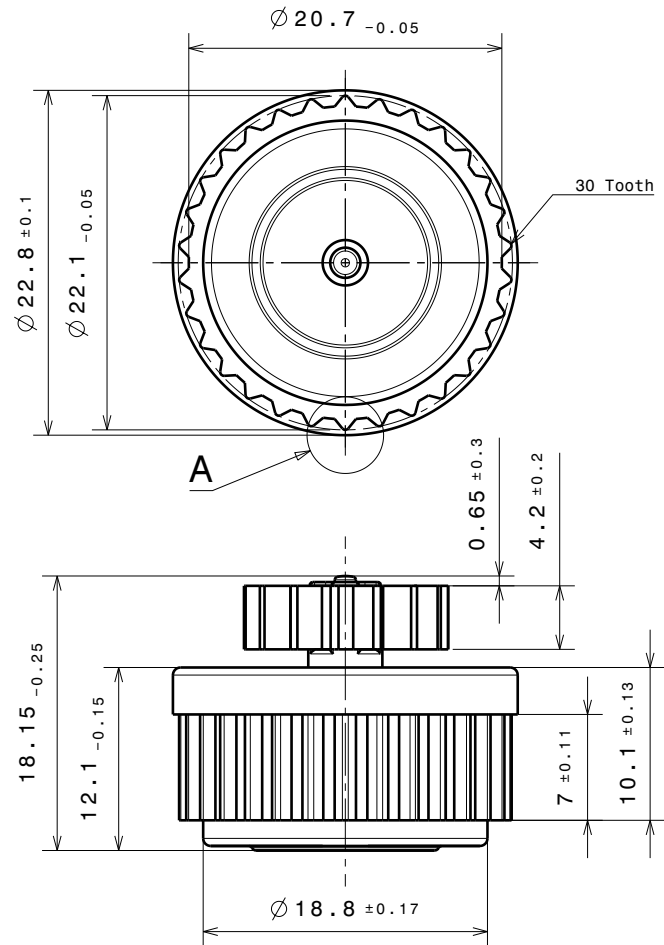


TECHNICAL DATA FOR REFERENCE ONLY!!



Torque at RT and 20 rpm.	Torque ID
12.00 ± 2.00 Ncm	M
7.00 ± 1.20 Ncm	L
5.40 ± 0.90 Ncm	Z
4.00 ± 0.70 Ncm	E
2.40 ± 0.50 Ncm	C
2.20 ± 0.50 Ncm	Y

GEAR SPECIFICATION	
tooth engagement	20°
module	0.8
number of teeth	15

Damper Insert

**30356**

15 Tooth Gear  
**PART NO. 30356-9-0X-03X**