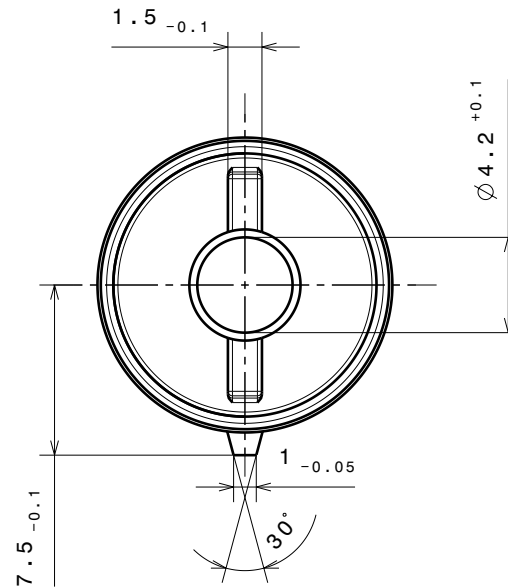
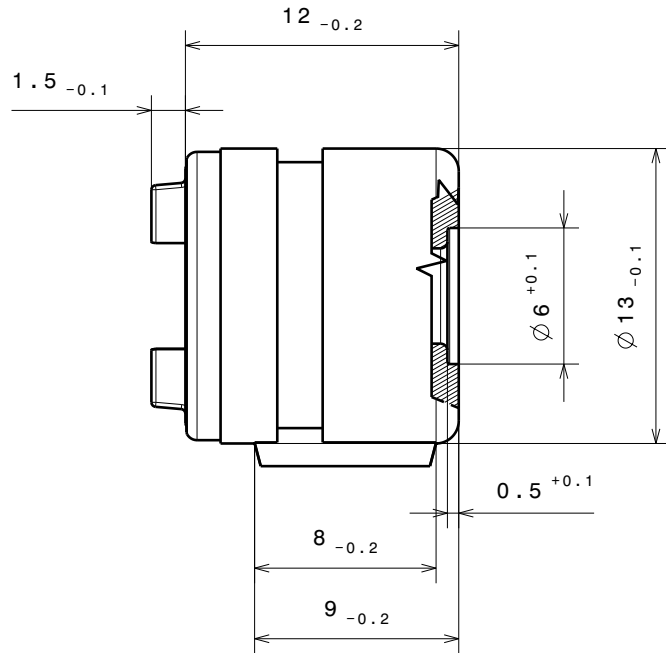


TECHNICAL DATA FOR REFERENCE ONLY!!



Torque at RT and 20 rpm.

4.6 ± 0.6 Ncm

12 mm HINGE DAMPER
 1.5 mm RIB

30404

PART NO. 30404-9-0X-00x