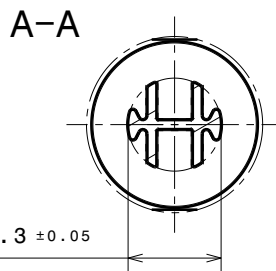
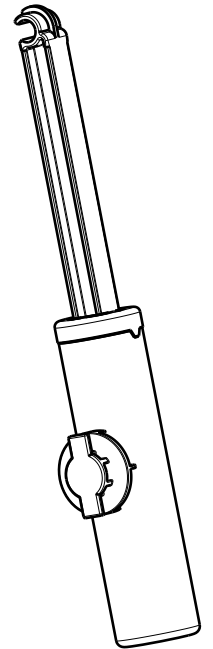
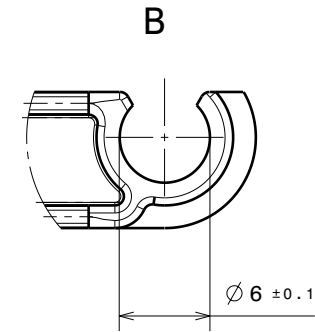
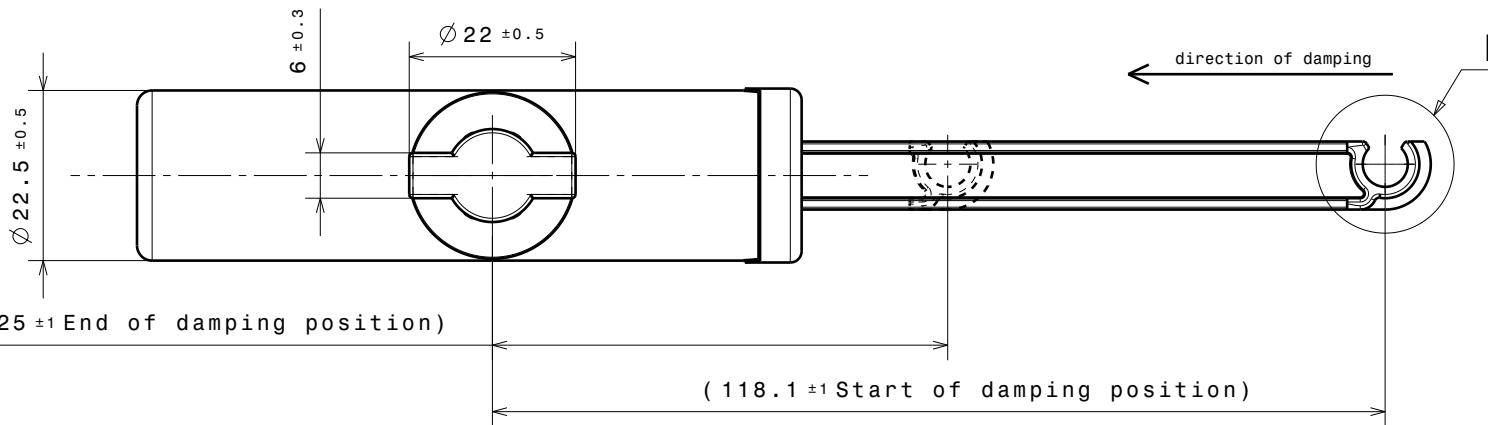
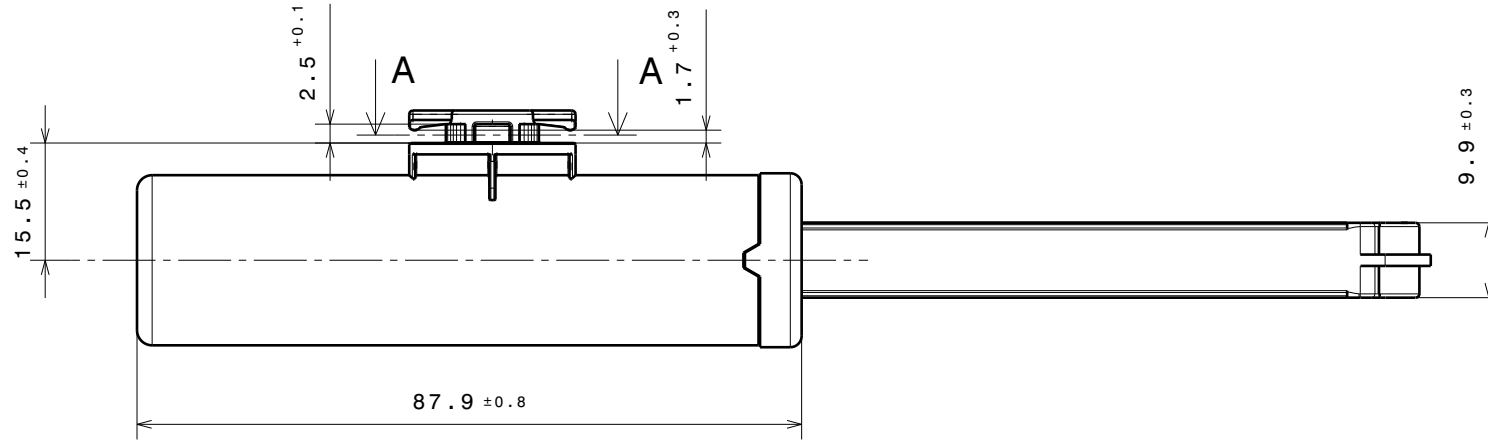


TECHNICAL DATA FOR REFERENCE ONLY!!



No-load of approx. 3mm in damping direction permissible.

PUSH AIR DAMPER
30398
 PART NO. 30398-9-0X-001